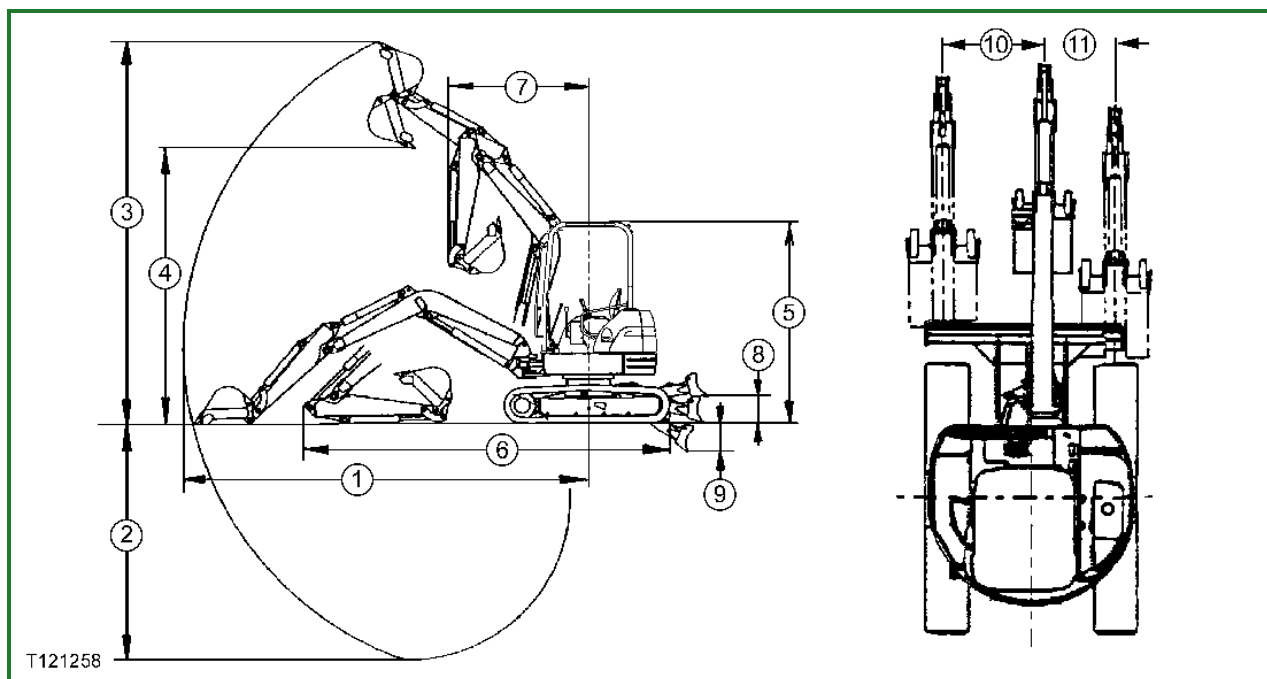


Working Ranges



T121258-UN: 50ZTS Excavator Working Ranges

LEGEND:

- 1 - Maximum Digging Reach
- 2 - Maximum Digging Depth
- 3 - Maximum Cutting Height
- 4 - Maximum Dumping Height
- 5 - Transport Height
- 6 - Overall Transport Length
- 7 - Minimum Swing Radius
- 8 - Blade Bottom Highest Position (Above Ground Level)
- 9 - Blade Bottom Lowest Position (Above Ground Level)
- 10 - Boom Offset (Left)
- 11 - Boom Offset (Right)

Item	Measurement	Specification
1-Maximum Digging Reach	Distance	5 800 mm (19 ft 0 in.)
2-Maximum Digging Depth	Depth	3 600 mm (11 ft 10 in.)
3-Maximum Cutting Height	Height	5 145 mm (16 ft 11 in.)
4-Maximum Dumping Height	Height	3 515 mm (11 ft 6 in.)
5-Machine	Transport Height	2 665 mm (8 ft 9 in.)
6-Machine	Transport Length	5 325 mm (17 ft 6 in.)
7-Minimum Swing Radius	Radius	2 655 mm (8 ft 9 in.)
8 Blade Bottom Highest Position (Above Ground Level)	Distance	400 mm (16 in.)
9-Blade Bottom Lowest Position (Above Ground Level)	Distance	365 mm (14 in.)
10-Offset Distance To Right	Maximum Distance	800 mm (2 ft 7 in.)
11-Offset Distance To Left	Maximum Distance	800 mm (2 ft 7 in.)

Engine Specifications

Item	Measurement	Specification
Isuzu 4LE1PA-01	Type	4 Cycle Water Cooled
	Bore And Stroke	4-85 x 96 mm (4-3.3 x 3.8 in.)
	Cylinders	4
	Displacement	2.179 L (132 cu in.)
	Compression Ratio	21.5:1
	Power At 2000 RPM	27.9 kW (38 hp) Net SAE
	Electrical system	12 Volt

CED,TX14740,6297-19-1999/03/12