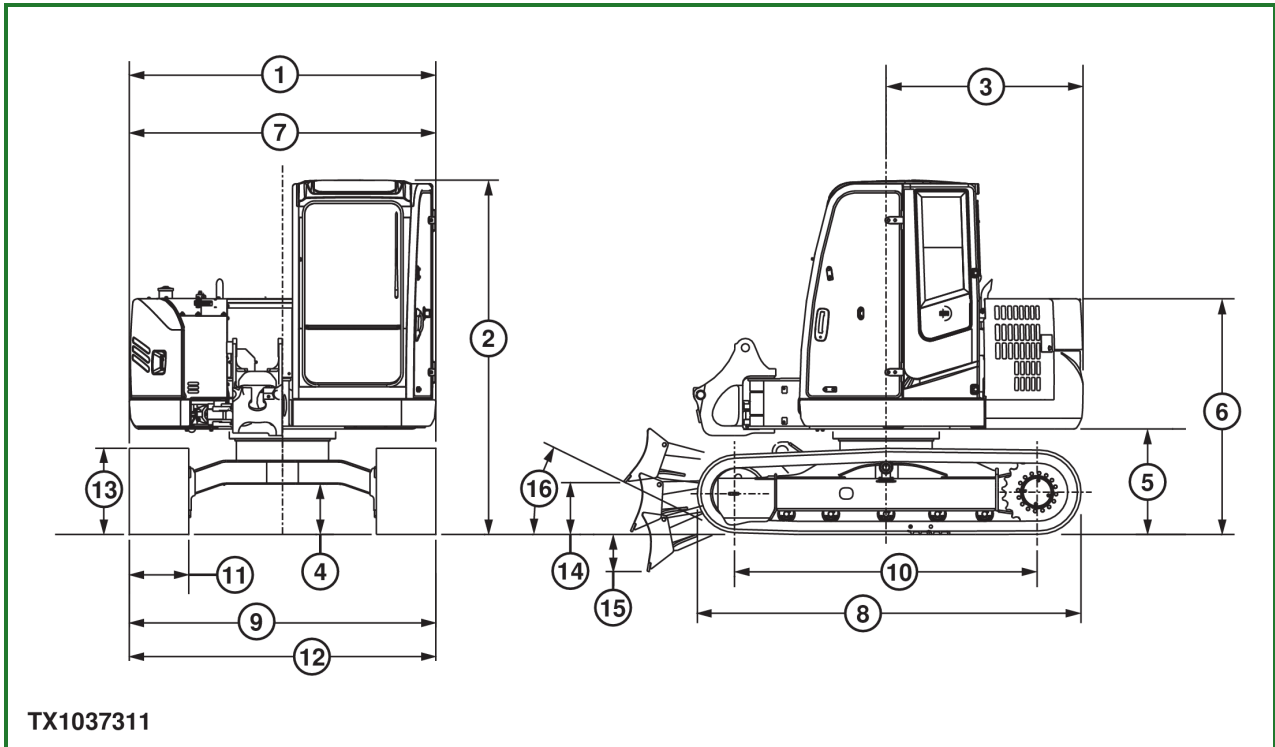


85D Machine Specifications



TX1037311-UN: 85D Specifications

LEGEND:

- 1 - Overall Width (excluding rearview mirrors)
- 2 - Cab Height
- 3 - Rear End Swing Radius
- 4 - Minimum Ground Clearance
- 5 - Counterweight Clearance
- 6 - Engine Cover Height
- 7 - Overall Width Of Upperstructure
- 8 - Undercarriage Length
- 9 - Undercarriage Width
- 10 - Sprocket Center To Idler Center
- 11 - Track Shoe Width
- 12 - Blade Width
- 13 - Blade Height
- 14 - Blade Bottom Highest Position
- 15 - Blade Bottom Lowest Position
- 16 - Maximum Approach Angle

NOTE:

Specifications and design subject to change without notice. Wherever applicable, specifications are in accordance with PCSA and SAE standards. Except where otherwise noted these specifications are based on a machine equipped with 2,470 mm (8 ft 1 in.) blade, 600 mm (24 in.) shoes, 1383 kg (3,049 lb) counterweight, 1.62 m (5 ft 4 in.) arm, 0.41 m³ (.53 yd³), 762 mm (30 in.), 333 kg (735 lb) bucket, full fuel tank, 79 kg (175 lb) operator and standard equipment.

| Item | Measurement | Specification |
|----------------------------------------------|------------------------|------------------------------------|
| 1—Overall Width (excluding rearview mirrors) | Distance | 2320 mm 7 ft 7 in. |
| 2—Cab | Height | 2690 mm 8 ft 10 in. |
| 3—Rear End Swing Radius | Distance | 1490 mm 4 ft 11 in. |
| 4—Minimum Ground Clearance | Distance | 360 mm 1 ft 2 in. |
| 5—Counterweight Clearance | Distance | 760 mm 2 ft 6 in. |
| 6—Machine | Engine Cover Height | 1750 mm 5 ft 9 in. |
| 7—Upperstructure | Overall Width | 2320 mm 7 ft 7 in. |
| 8—Undercarriage | Length | 2920 mm 9 ft 7 in. |
| 9—Undercarriage | Width | 2320 mm 7 ft 7 in. |
| 10—Sprocket Center To Idler Center | Distance | 2290 mm 7 ft 6 in. |
| 11—Track Shoes | Width | 450 mm (18 in.) 600 mm (24 in.) |
| 12—Blade | Width | 2470 mm 8 ft 1 in. |
| 13—Blade | Height | 460 mm 1 ft 6 in. |
| 14—Blade Bottom | Highest Position | 380 mm 1 ft 3 in. |
| 15—Blade Bottom | Lowest Position | 280 mm 11 in. |
| 16—Blade | Maximum Approach Angle | 26.2° |
| Machine | Operating Weight | 8537 kg 18,821 lb |

OUT4001,000004A-19-20080306