

RXA0139880-UN: ActiveSeat™ Seat Hydraulic Schematic

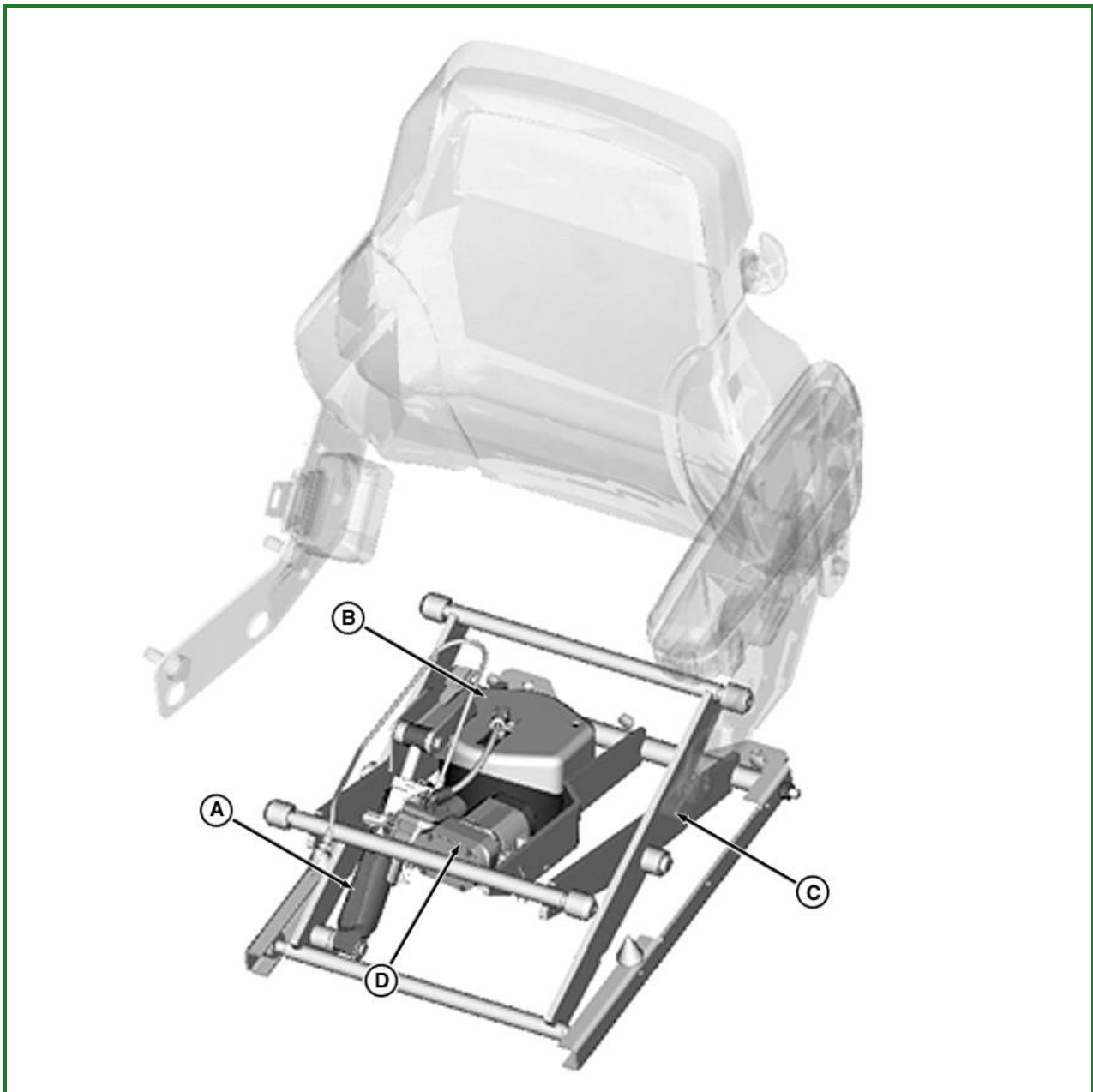
LEGEND:

- A - Inlet Screen
- C - Pressure Control Valve
- D - Raise / Lower Valve
- E - Actuator
- F - Accumulator
- G - Return Check Valve
- H - Pressure relief Valve
- P - SCV / Hitch Supply Pressure
- T - Return to Clean Oil Reservoir

Go to [Section_290B:Group_25](#)

EJ20264,00001A9-19-20140305

Seat—ActiveSeat™ and Standard Seat Component Location Diagram



RXA0083323-UN: Standard Seat Component Locations

LEGEND:

- A - Shock Absorber
- B - Air Suspension Bag
- C - Scissor Linkage
- D - Compressor