

RXA0118947-UN: Primary/Secondary Brake Manifold (907101—)

LEGEND:

G12 - Primary/Secondary Brake Manifold

1 - Right secondary brake supply from manifold

2 - Supply to right brake piston

3 - Load sense signal from brake valve

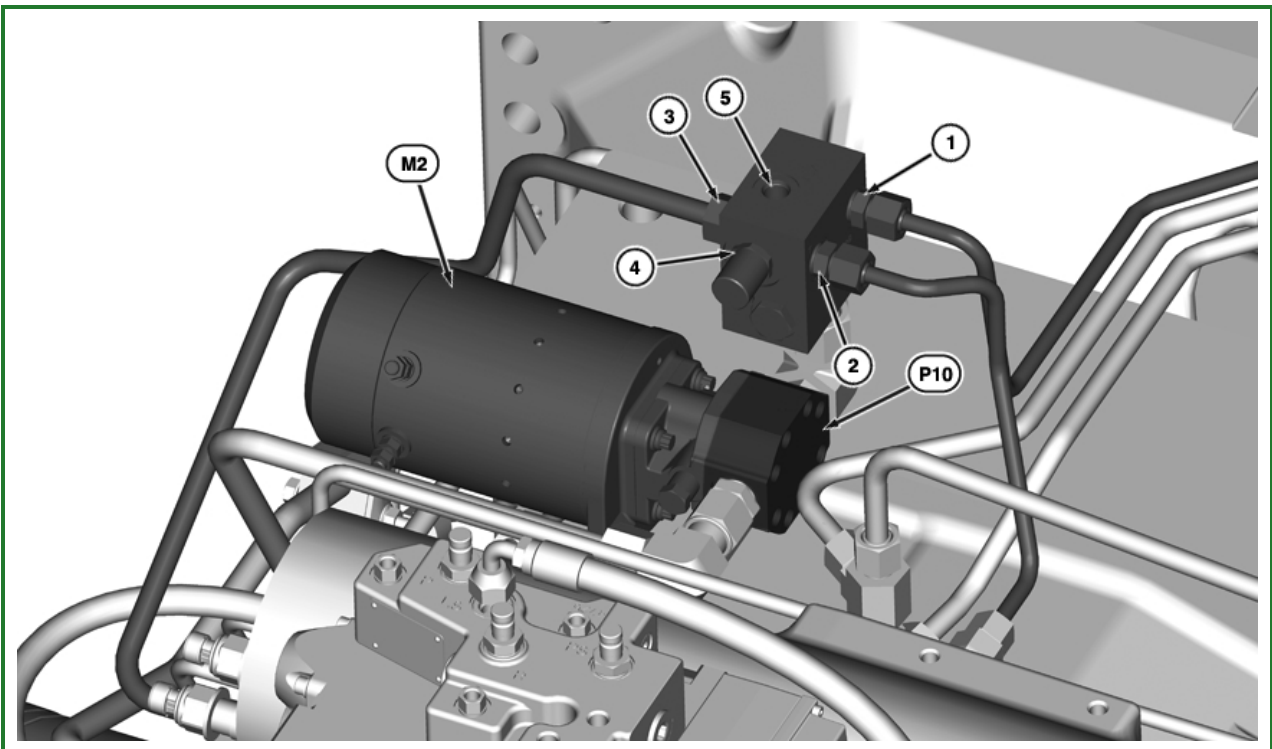
4 - Left secondary brake supply from manifold

5 - Load sense signal from secondary brake and steering control manifold

6 - Priority load sense signal to the priority/load sense manifold

7 - Supply to left brake piston

8 - Brake apply pressure from brake valve



RXA0118949-UN: Backup Hydraulic Pump (907101—)

LEGEND:

- M2 - Hydraulic backup pump motor
- P10 - Hydraulic backup pump
- 1 - Reduced pressure to park brake circuit
- 2 - Return to sump
- 3 - Backup supply to priority/load sense manifold
- 4 - Pressure reducing valve
- 5 - Backup hydraulic pump pressure test port

Go to [Section_260A:Group_25](#)

JP43757,00006C5-19-20110929