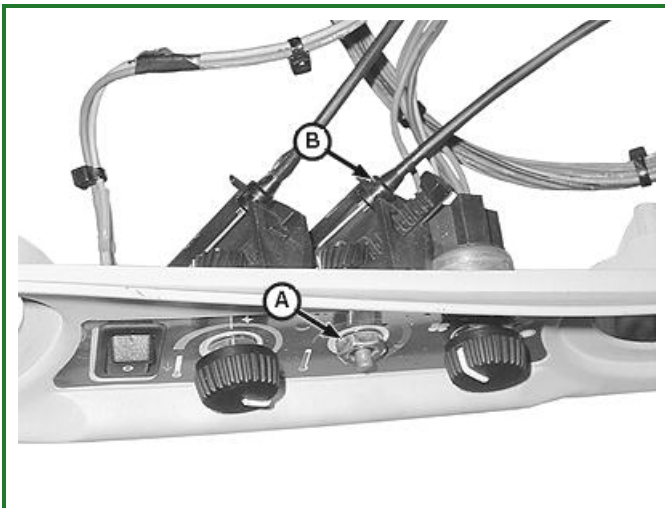


Replace Heater Temperature Control Cable

1.



LV6944-UN: Nut and control cable

LEGEND:

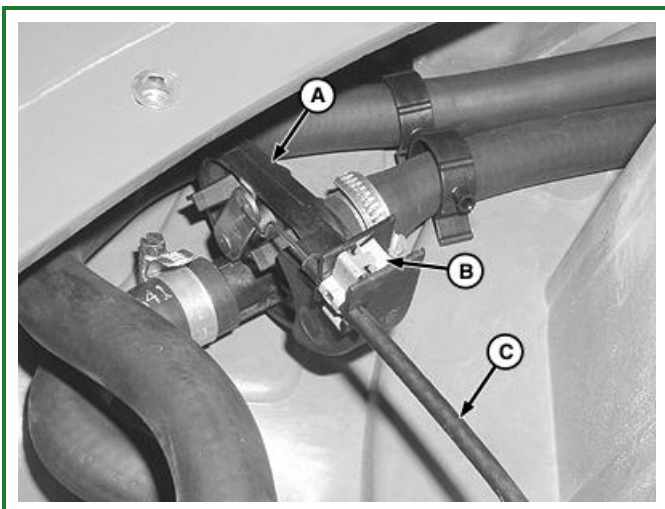
A - Nut

B - Control Cable

Disconnect battery negative (—) cable.

2. Pull vent covers and retaining rings from cab control console. Remove three mounting screws located behind vent covers and pull cab control console from headliner.
3. Remove heater control knob.
4. Remove nut (A).
5. Disconnect control cable (B).

6.



LV8836-UN: Heater control valve

LEGEND:

A - Heater Control Valve

B - Clip

C - Control Cable

Remove HVAC housing cover. (See Remove and Install HVAC Housing Cover in this Section, Group 30.)

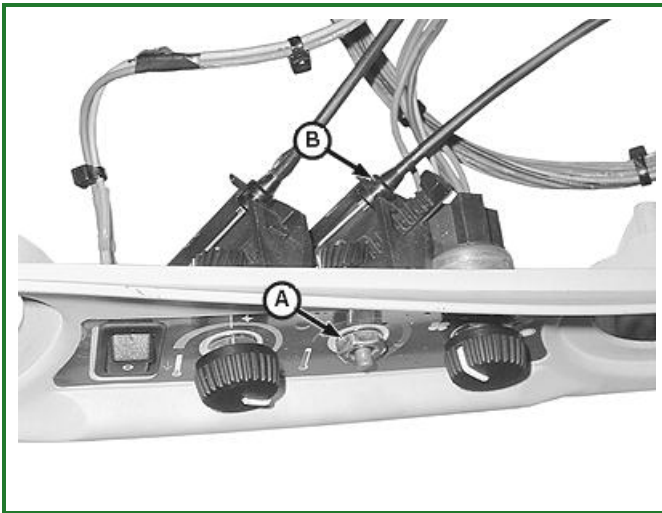
7. Remove cable retaining clip (B) and disconnect control cable (C) from heater control valve (A).

8. **NOTE:**

Follow routing path of control cable before removing to aid during installation.

Replace heater control cable (C).

9.



LV6944-UN: Heater control knob

LEGEND:

A - Nut

B - Control Cable

Connect cable (B) and tighten nut (A).

10. Install headliner and screws.

11. Install heater control knob.

12. **NOTE:**

Make sure the heater control knob and the heater control valve (A) are in the closed position as shown before installing clip (B).