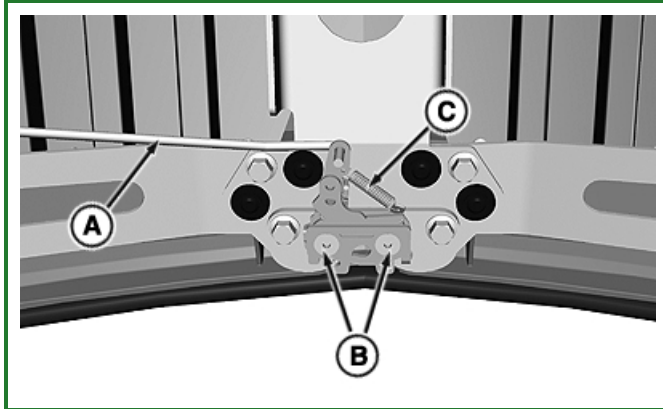


Remove and Install Hood Latch

1.



RXA0118670-UN: Hood Latch

LEGEND:

A - Rod

B - Latch Cap Screws (2 used)

C - Spring

Open hood.

2. Disconnect rod (A).
3. Remove latch cap screws (B) and latch.
4. Inspect spring (C) and replace as necessary.
5. Install latch and latch cap screws (B). Tighten to specification.

Item	Measurement	Specification
Latch Cap Screws	Torque	25 N·m (221 lb.-in.)

6. Connect rod (A).

Go to [Section_80A:Group_05](#)

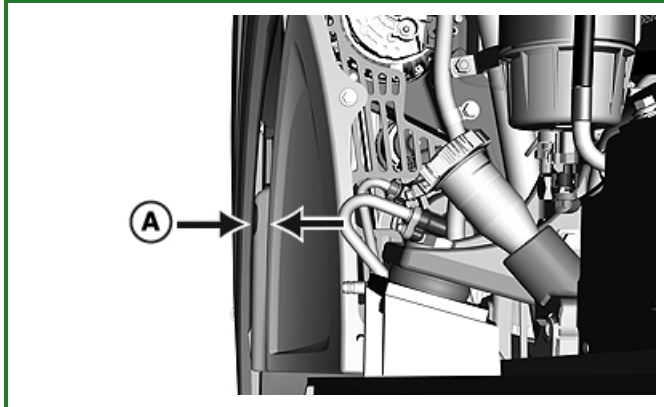
LN71218,000057D-19-20140605

Adjust Finguard

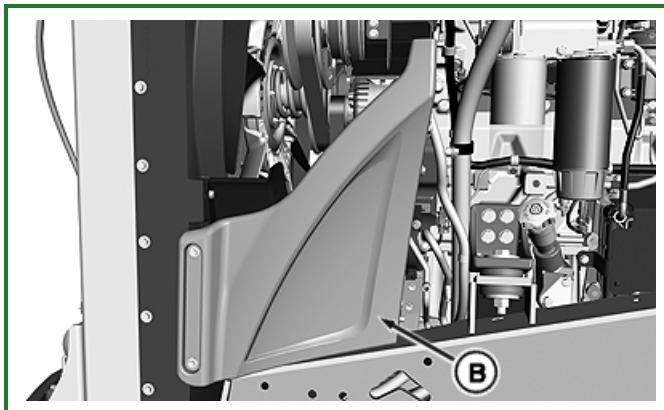
1.

NOTE:

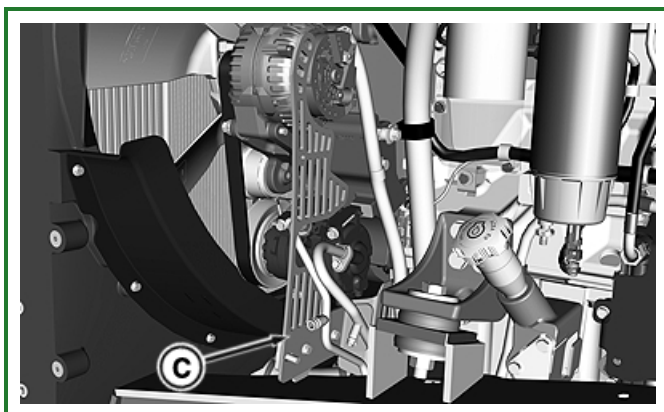
Left-hand side shown, procedure same for right-hand side adjustment.



RXA0141358-UN: Gap



RXA0141359-UN: Side Panel



RXA0141360-UN: Finguard

LEGEND:

A - Gap

B - Side Panel

C - Finguard

Measure gap (A) between hood and side panel.