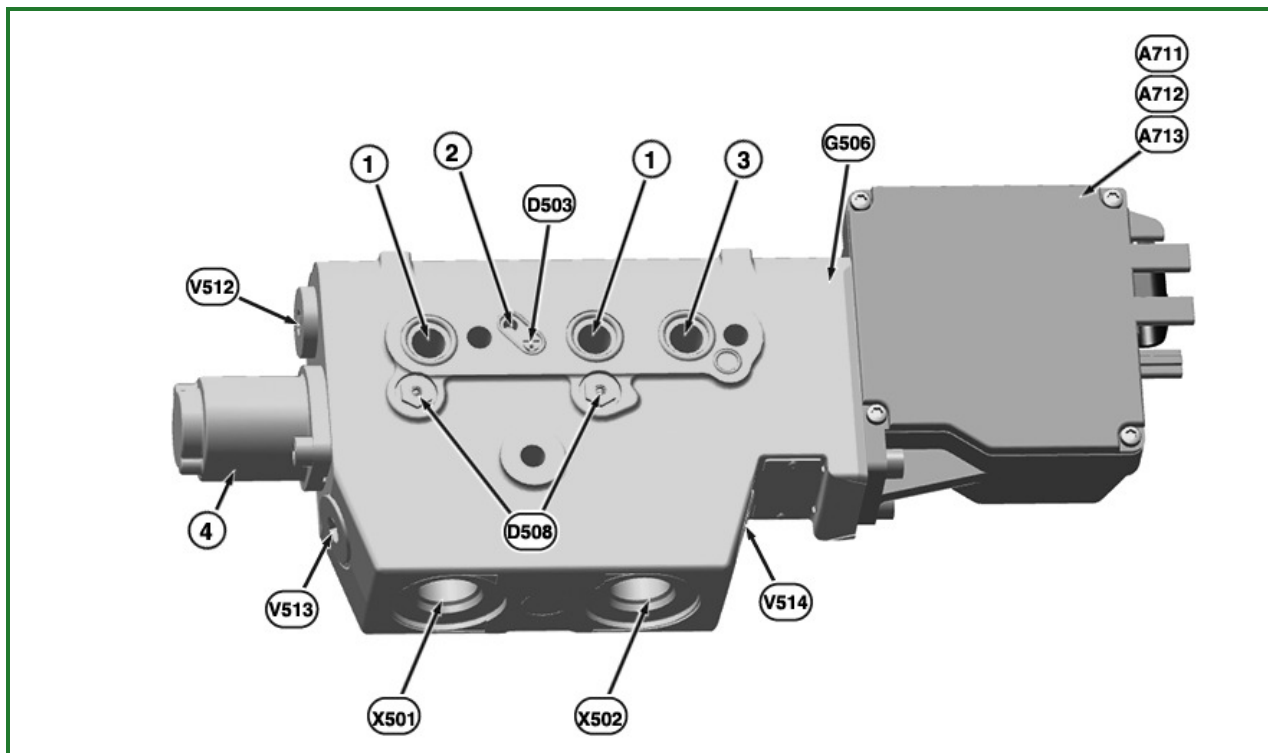


G506 Electrohydraulic Rear SCV Section (CC)



RXA0151333-UN: G506 Electrohydraulic Rear SCV Section (CC) Overview

LEGEND:

- A711 - A711 Rear EH SCV I Stepper Motor
- A712 - A712 Rear EH SCV II Stepper Motor
- A713 - A713 Rear EH SCV III Stepper Motor
- D503 - Rear Electrohydraulic SCV Motor 4
- D508 - Pilot Seat Valve
- G506 - Rear Electrohydraulic SCV Section
- V512 - Pressure Compensator
- V513 - Check Valve (Load Holding with Relief Valve)
- V514 - Check Valve (Load Holding with Relief Valve)
- X501 - Extend Coupler
- X502 - Retract Coupler
- 1 - Return
- 2 - Load Sense Pressure
- 3 - System Pressure
- 4 - Centering Housing

-: G506 Electrohydraulic Rear SCV Section (CC)

<p>Overview</p>	<p>CC Hydraulics - Electrohydraulic Rear/Mid-Mount SCV Overview CC Hydraulics - Electrohydraulic Rear SCV Stack Overview</p>
<p>Schematic</p>	<p>CC Hydraulics - Schematic (R4, Mechanical SCV) CC Hydraulics - Schematic (R4, Electrohydraulic SCV) CC Hydraulics - Schematic (R2, Air Trailer Brakes) CC Hydraulics - Schematic (R2, HydraForce Hydraulic Trailer Brakes) CC Hydraulics - Schematic (R2, Safim Hydraulic Trailer Brakes) CC Hydraulics - Schematic Rear SCV Valve Stack Combinations</p>

Theory	CC Hydraulics - Electrohydraulic Rear SCV Operation (450 Series)
Assembly	AL217509

Go to [Section_271:Group_40](#)

DP51502,00035C4-19-20191010