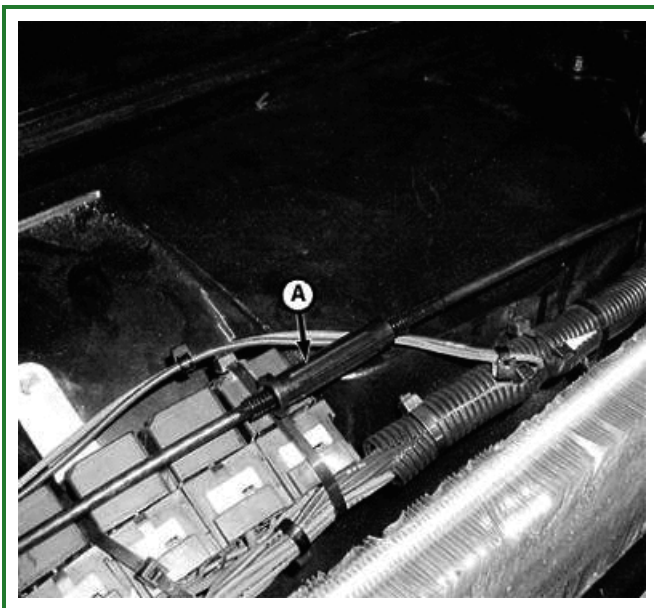


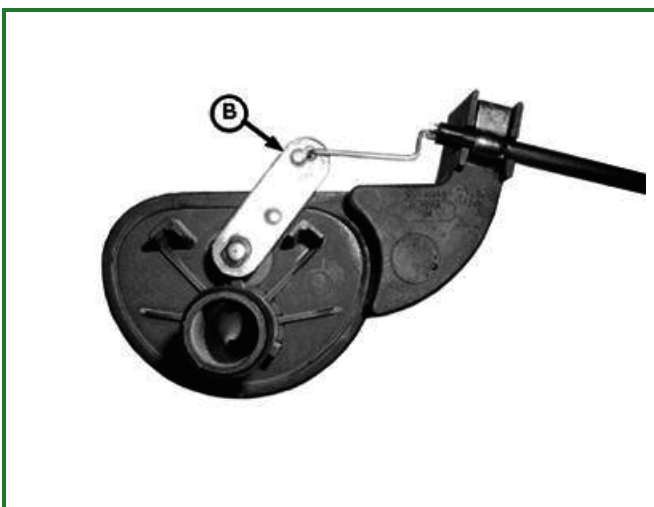
## Adjust Heater Temperature Control Cable

1. Remove outer roof.

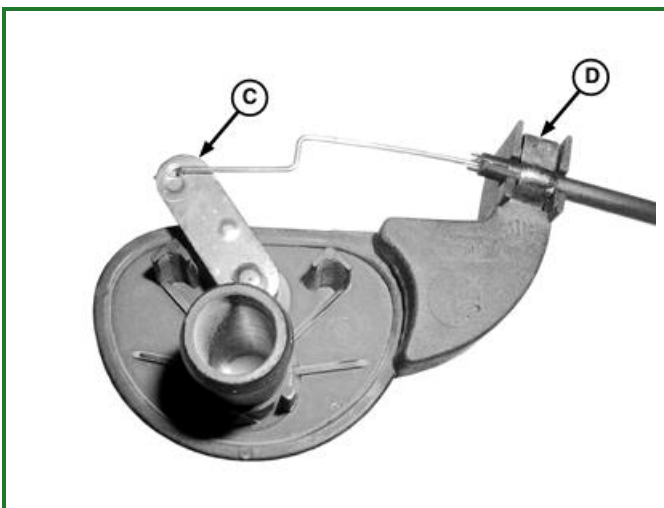
2.



LV6673-UN: Heater Control Cable Adjuster



LV6675-UN: Full Open Position



**LV8774-UN: Full Closed Position**

**LEGEND:**

- A - Heater Cable Adjuster
- B - Heater Valve Arm—Full Open Position
- C - Heater Valve Arm—Full Closed Position
- D - Retainer Clip

Remove HVAC housing cover. (See Remove and Install HVAC Housing Cover in this section.)

3. Turn heater temperature control knob to full heat position.
4. Adjust heater cable adjuster (A) until heater valve arm is in full open position (B).
5. Adjust cable position with retainer clip (D).
6. Turn heater temperature control knob to OFF.
7. Verify that heater valve arm is in full closed position (C).
8. Repeat all steps if readjustment is required.
9. Install HVAC housing cover. (See Remove and Install HVAC Housing Cover in this section.)
10. Install outer roof.

Go to [Section\\_90:Group\\_35](#)

HV12280,00003BE-19-20181026