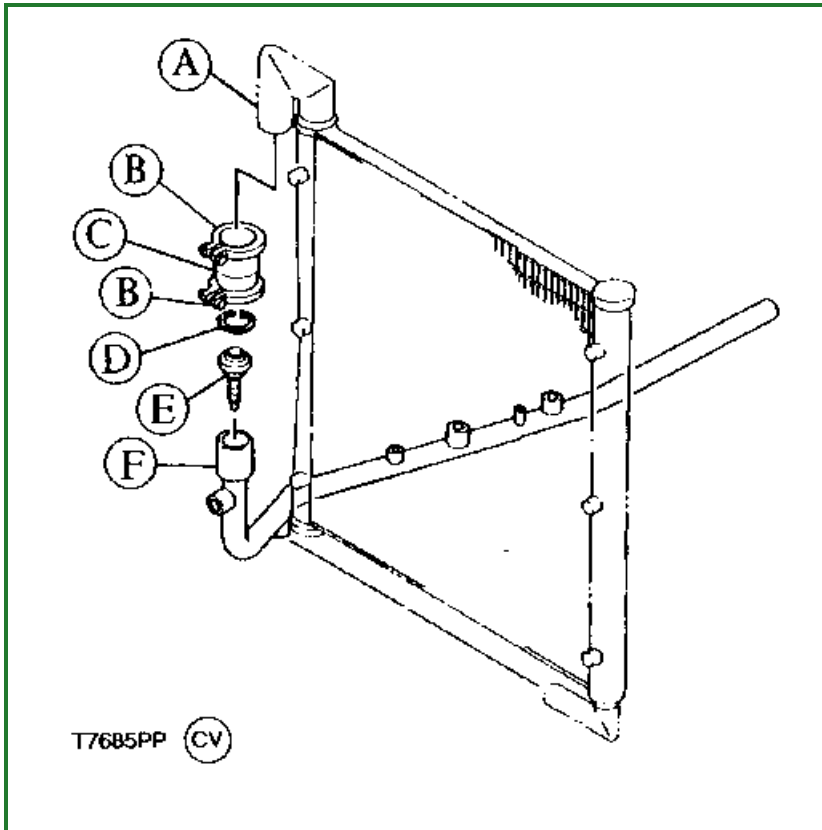


Remove and Install Swing Make-Up Restriction Valve



T7685PP-UN: Swing Make-Up Restriction Valve

LEGEND:

- A - Oil Cooler
- B - Seal (2 used)
- C - Coupling
- D - Snap Ring
- E - Bypass Valve
- F - Oil Cooler-to-Reservoir Line

1.

⚠ CAUTION:

Explosive release of oil from pressurized system can cause serious burns or penetrating injury. Reservoir is pressurized. Push pressure release button on reservoir fill cap to release pressure.

Push pressure release button on reservoir fill cap to release pressure. Remove cap.

2. Drain reservoir. Approximate capacity is 76 L (20 gal).

Item	Measurement	Specification
Hydraulic Reservoir	Approximate Capacity	76 L (20 gal)

3. Replace parts (B-E) as necessary.

4. Do hydraulic pump start-up procedure. (See [procedure](#) in this group.)

Go to [Section_33:Group_3360](#)

TX,3360,DU626-19-1992/07/16