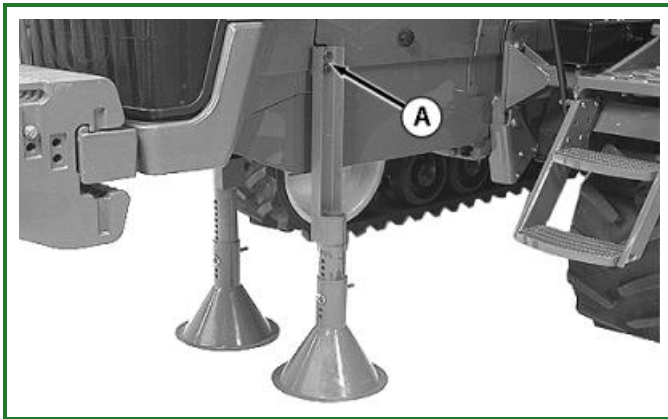
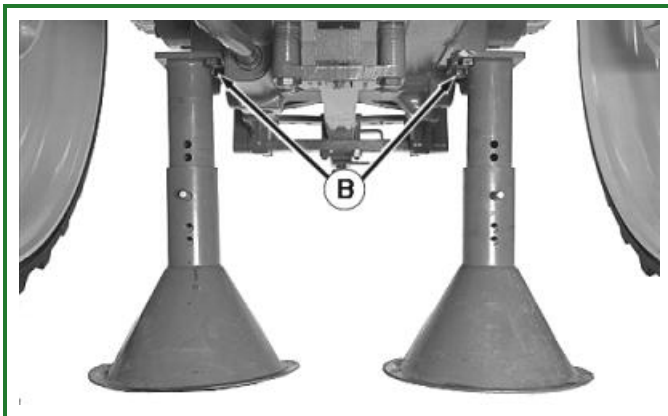


Detension and Tension the Track



RW56345-UN: Front Frame Support



RW56346-UN: Support Stands under Differential Case

LEGEND:

A - JDG1076 Front Support Stands

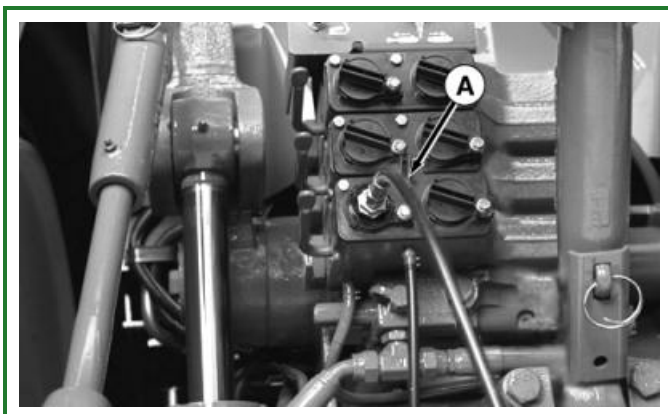
B - JT07211 Rear Support Stands

⚠ CAUTION:

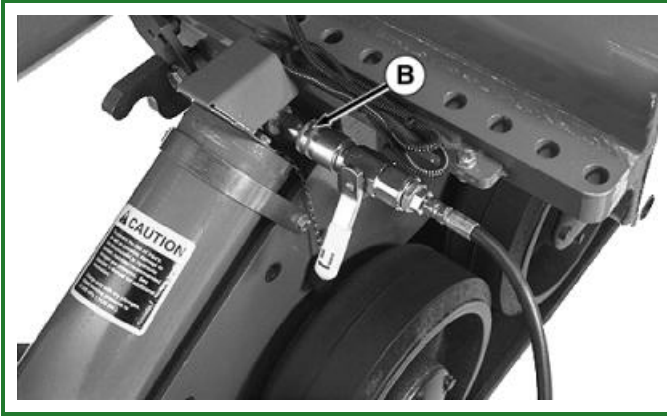
Avoid possible personal injury. Tractor must be fully supported and stable using support stands of sufficient capacity before adjusting tracks.

Raise entire tractor keeping tractor level front to back. Lift tractor until approximately 75 mm (3 in.) clearance exists between belt tread and ground.

Install JDG1076 Support Stands to front frame support (A) and JT07211 Support Stands to differential case (B).



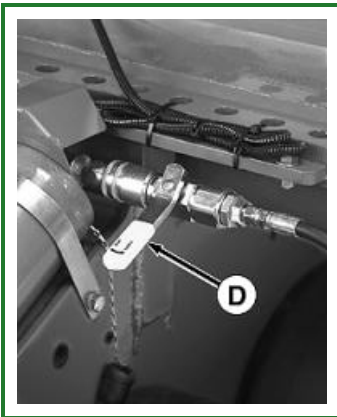
RW56443-UN: Coupler



RW56398-UN: Female Valve End of Hose



RW56408-UN: Valve Opened



RW56409-UN: Valve Closed

