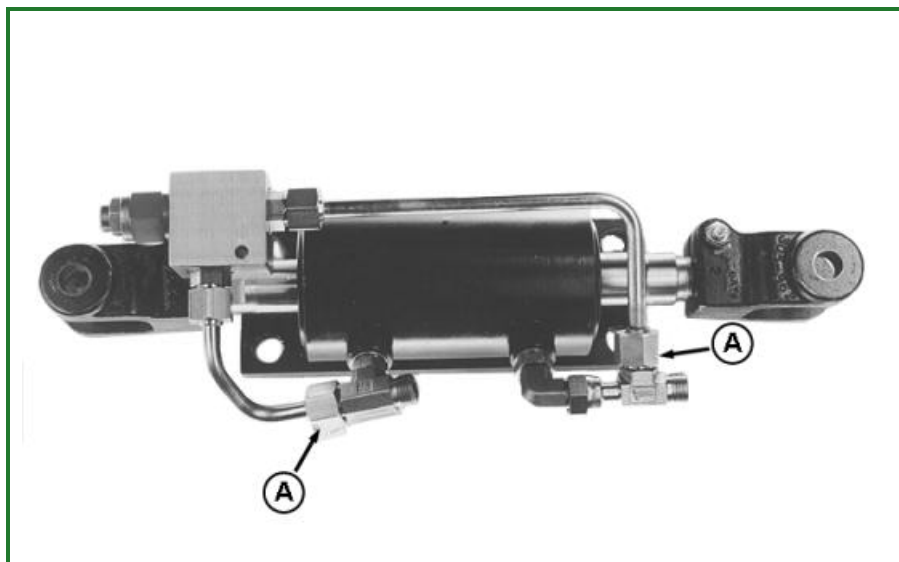


Repair Row Guidance Cylinder



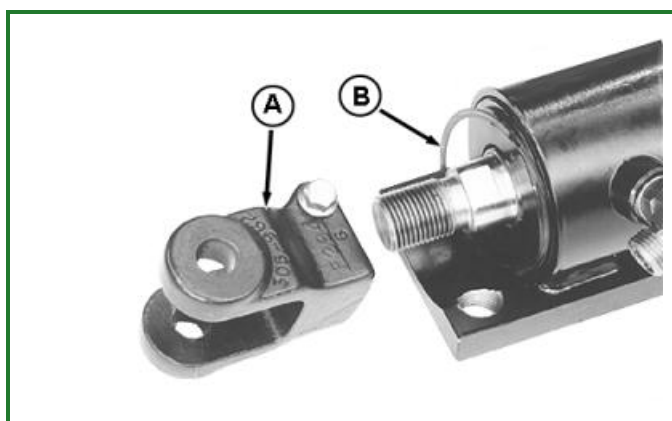
LEGEND:

A - Fitting

Disconnect hoses from cylinder.

Disconnect fittings (A) from cylinder and remove relief valve assembly.

Item	Measurement	Specification
Relief Valve	Operating Pressure	240 kPa (2.4 bar) (35 psi)



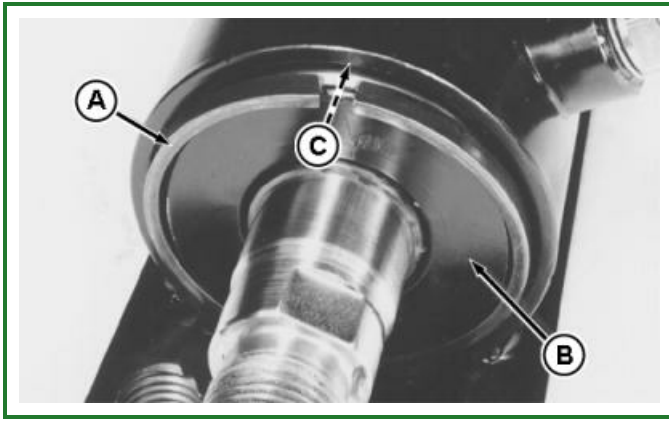
LEGEND:

A - Clevis

B - Retaining Ring

Remove clevises (A) from cylinder rod ends.

Remove external retaining rings (B) from each end of cylinder barrel.



LEGEND:

A - Spacer

B - Head Assembly

C - Retaining Ring

Remove spacers (A) from each head assembly (B).

IMPORTANT:

Do not use a vise on cylinder barrel. Hold cylinder using cylinder base.

Tighten cylinder base in a vise.

Drive each head assembly (B) into barrel and remove internal retaining ring (C) inside barrel.

Drive rod on opposite end of barrel to remove head assembly.

Go to [Section_70:Group_35](#)

AG,OUOD007,2521-19-19990817