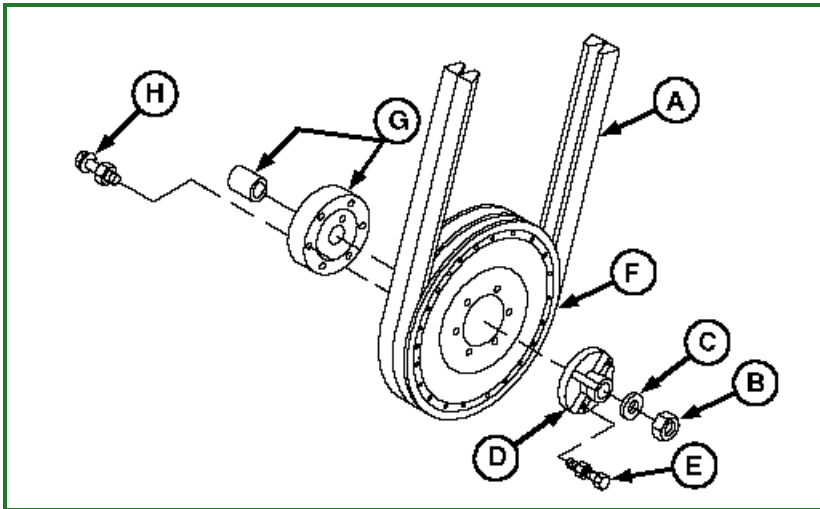


## Remove and Install Cross Auger Countershaft Hub and Shear Bolt



### H55906-UN: Countershaft and Shear Bolt

#### **LEGEND:**

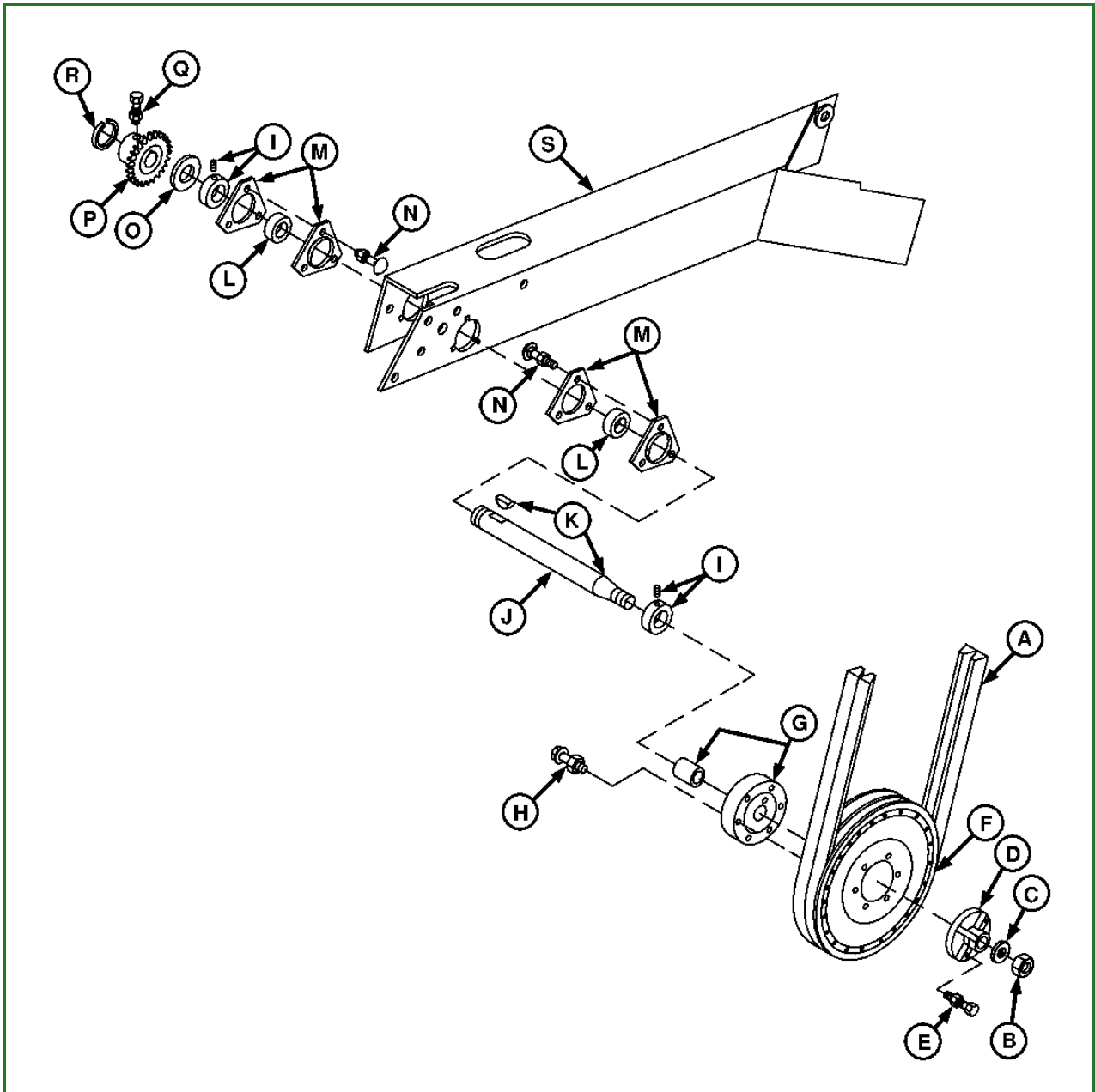
- A - Belt
- B - Nut
- C - Washer
- D - Shear Hub
- E - Shear Bolt
- F - Sheave
- G - Hub and Bushing
- H - Cap Screw (6 used)

1. If shear bolt hub (D) is frozen to shaft, remove shear bolt (E).
2. Turn unloading system sheave by hand without turning augers. If augers turn, hubs (D and G) need to be loosened.
3. Install shear bolt (E).

Go to [Section\\_130:Group\\_10](#)

AG,OUO6435,1026-19-20000503

## Remove Unloading Auger Drive Countershaft



### H71526-UN: Unloading Auger Drive Countershaft

**LEGEND:**

- A - Belt (2 used)
- B - Nut
- C - Washer
- D - Shear Hub
- E - Shear Bolt
- F - Sheave (2 used)
- G - Hub and Bushing
- H - Cap Screw
- I - Lock Collar (2 used)
- J - Shaft
- K - Woodruff Key, (2 used)
- L - Bearing (2 used)
- M - Flangettes (4 used)
- N - Cap Screw (6 used)