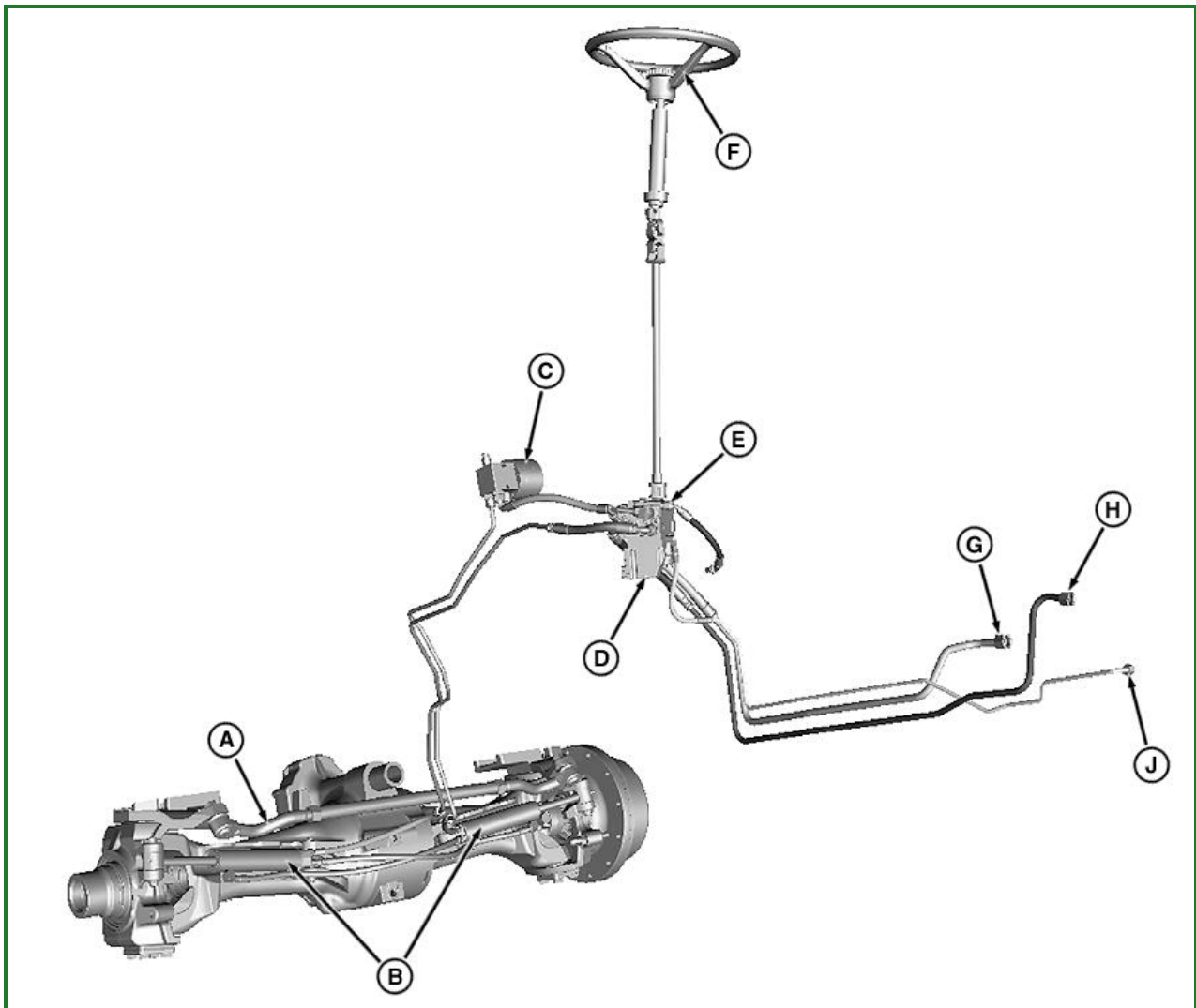


Reference 260-25-005, AutoTrac Component Location Diagram

For additional information see *AutoTrac Schematic* (Reference 260-25-003).



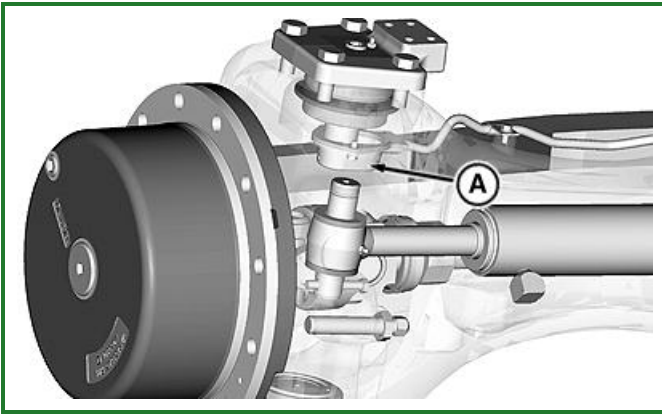
RXA0080067-UN: MFWD AutoTrac Steering Components

LEGEND:

- A - Tie Rod (located on front of axle if equipped with 1500 Series MFWD)
- B - Steering Cylinders
- C - Flow Meter
- D - EH Steering Valve
- E - Steering Valve
- F - Steering Wheel
- G - Return Line
- H - Supply Line
- J - Load Sense Line

NOTE:

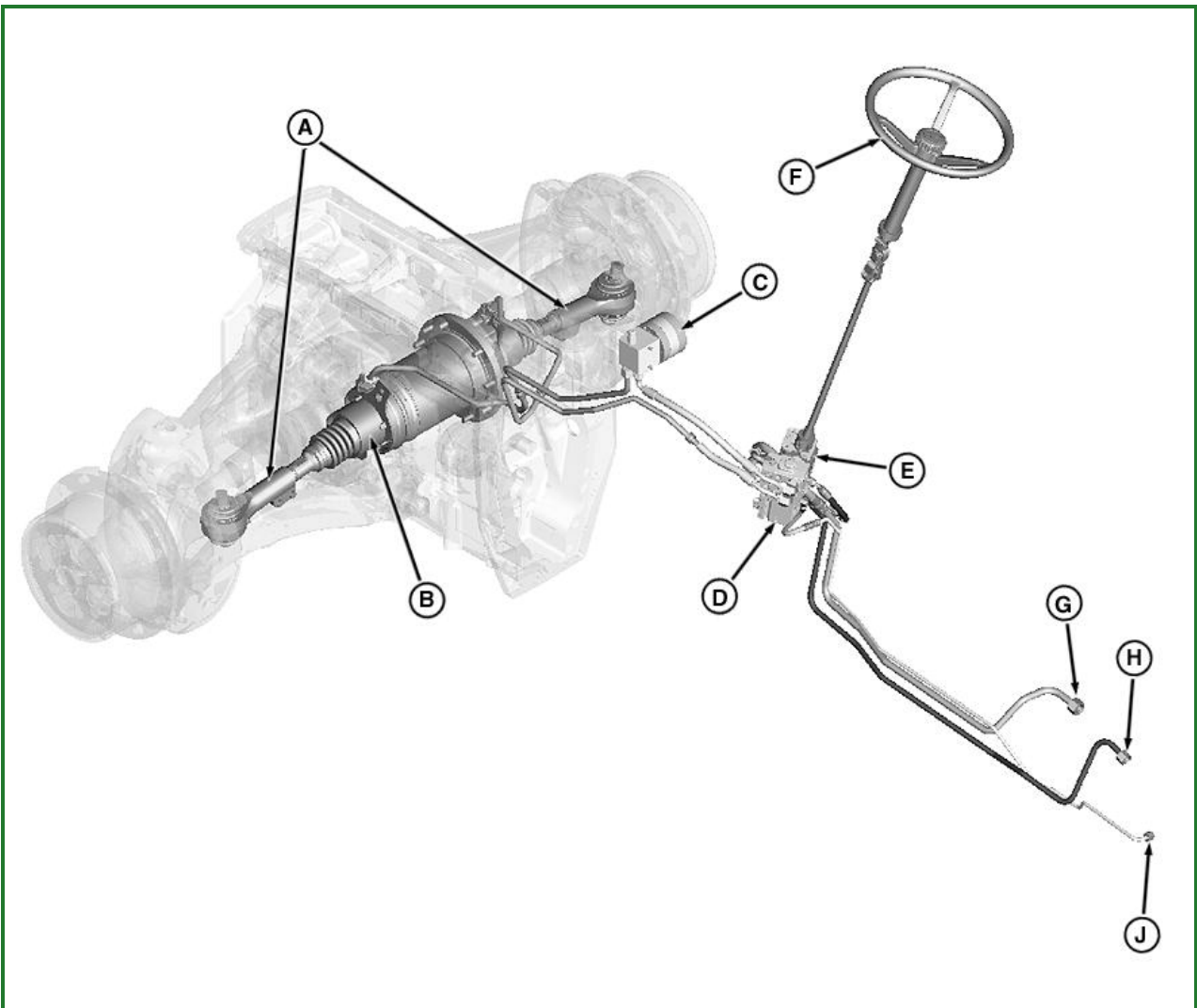
1500 Series MFWD axles do not have a flow meter. They are equipped with a wheel angle sensor located in the front axle near the left wheel.



RXA0095666-UN: AutoTrac Wheel Angle Sensor

LEGEND:

A - AutoTrac Wheel Angle Sensor



RXA0080065-UN: ILS™ AutoTrac Steering Components

LEGEND:

- A - Tie Rods
- B - Steering Cylinder
- C - Flow Meter
- D - EH Steering Valve
- E - Steering Valve
- F - Steering Wheel
- G - Return Line