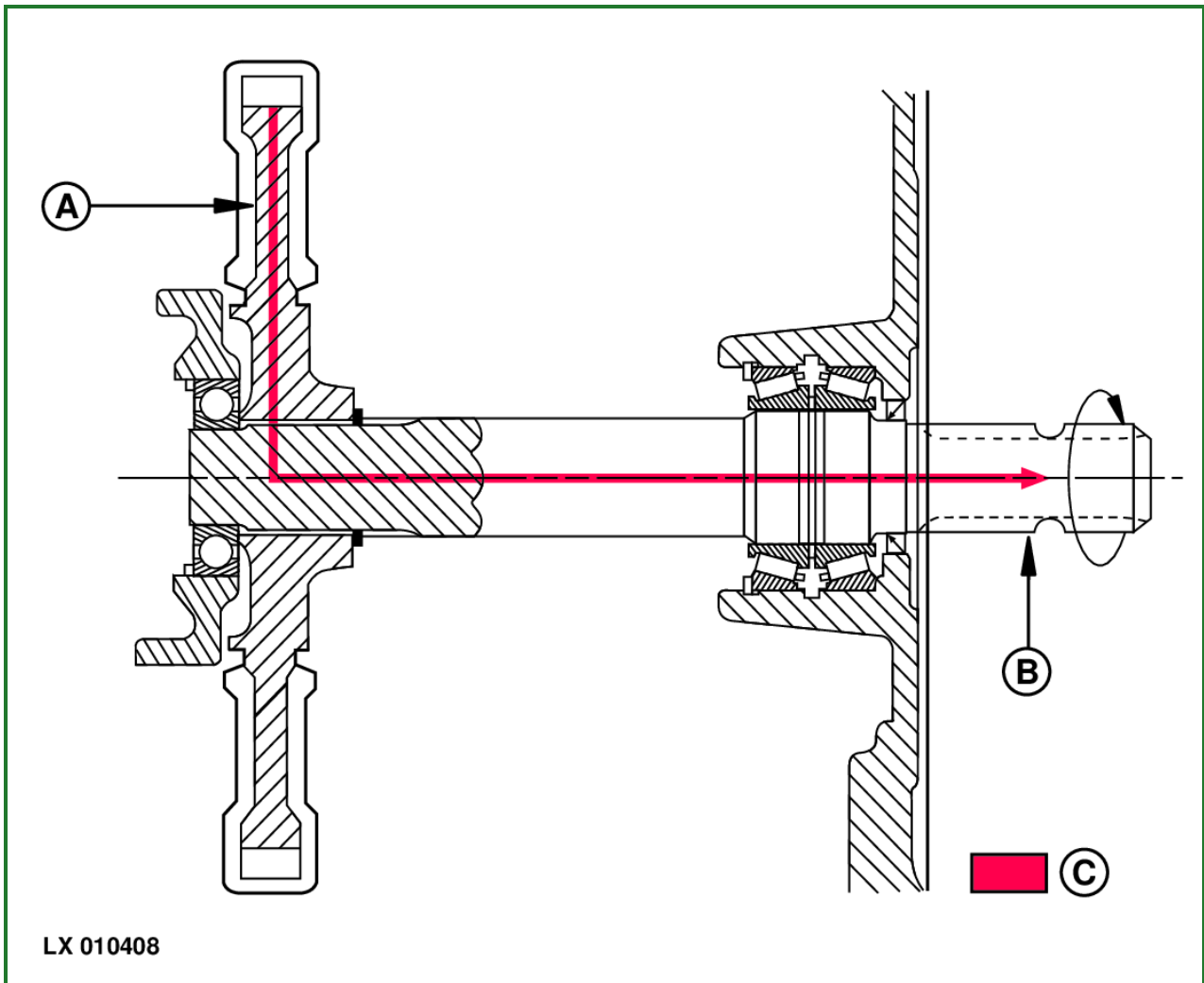


PTO Power Flow (540 rpm)



LX010408-UN: PTO power flow (540 rpm)

LEGEND:

A - Drive gear

B - PTO

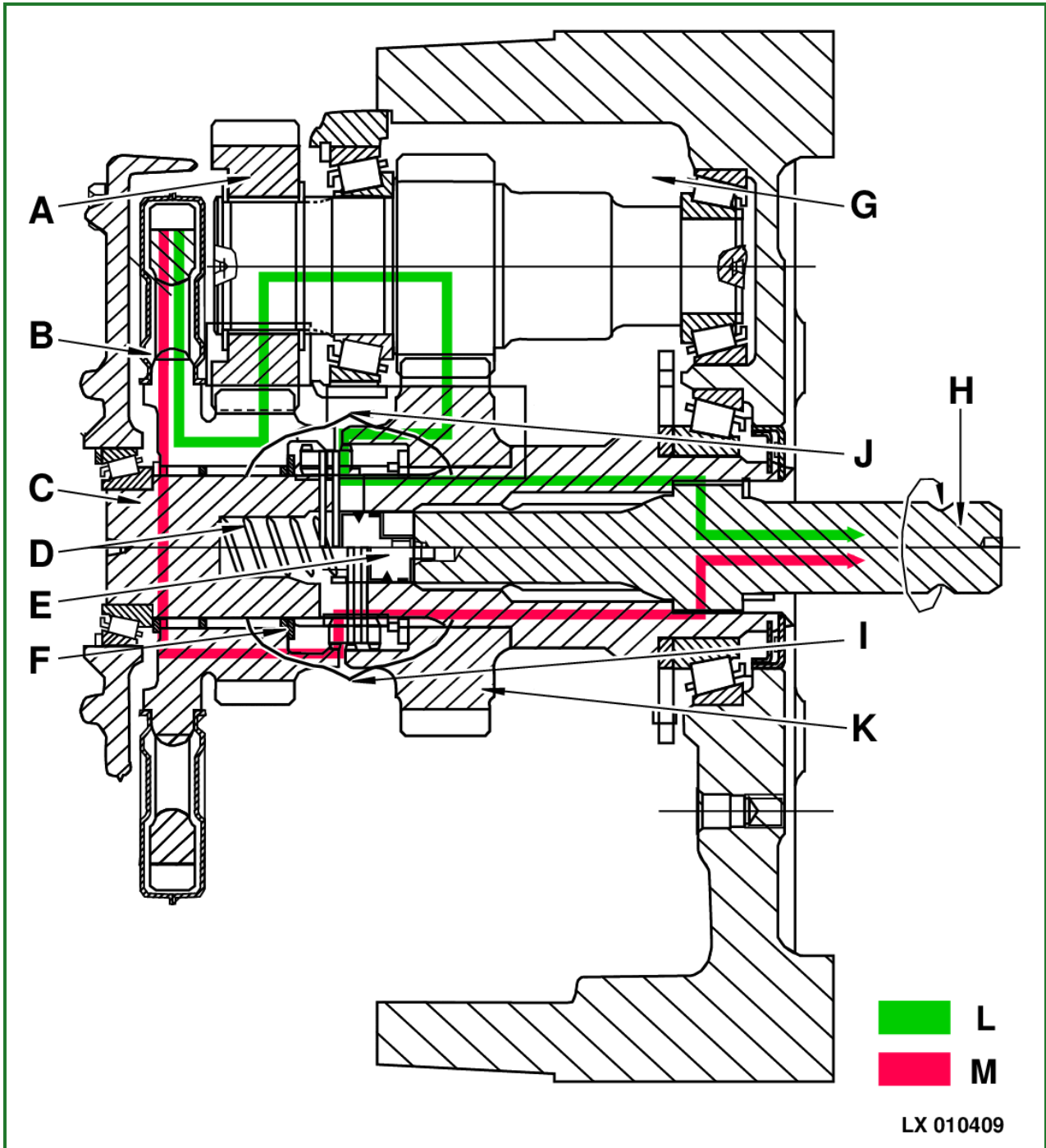
C - Power flow

Power is transmitted directly from PTO clutch gear to PTO (B) via drive gear (A).

Go to [Section_256:Group_20D](#)

AG,LX25597,577-19-2000/07/06

PTO Power Flow (540/1000 rpm, Reversible)



LX010409-UN: 540/1000 rpm reversible PTO

LEGEND:

- A - Gear
- B - Drive gear
- C - Output shaft
- D - Spring
- E - Piston
- F - Shift collar
- G - Countershaft with gear
- H - PTO stub shaft
- I - 1000 rpm position
- J - 540 rpm position
- K - Gear