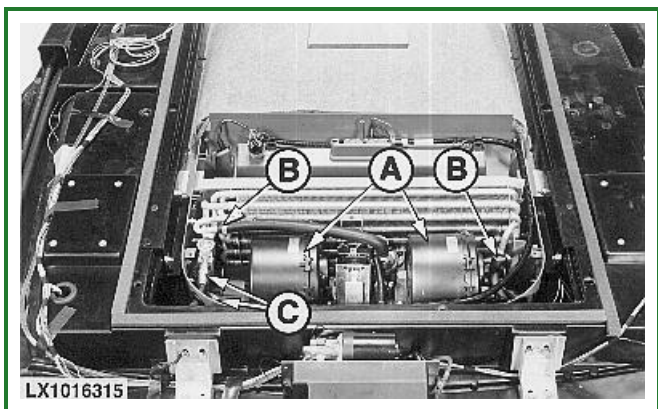


Removing and Installing Fan and Radiator



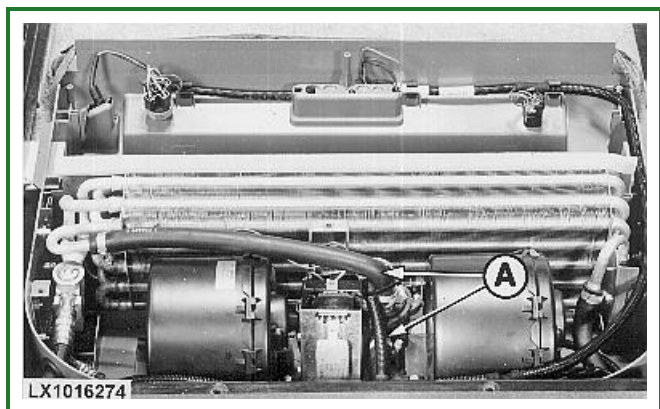
LX1016315-UN: Fan and radiator (SE tractors)

1. Remove outer section of roof or roof hatch [If equipped] .
2. Remove dust cover from heater/evaporator housing.
3. Disconnect and remove fan motors (A).
4. Empty the cooling and air-conditioning [Tractors with air conditioning system only] systems.
5. Disconnect the hot coolant hoses (B) and the refrigerant lines (C) [Tractors with air conditioning system only] at the radiator or expansion valve.

Go to [Section_90:Group_21](#)

LX,9020 011587-19-01FEB97

Removing and Installing the Heater Valve



LX1016274-UN: Hot coolant hoses

1. Pull off the temperature control knob.
2. Remove the cab air filter.
3. Remove outer section of roof or roof hatch [If equipped] .
4. Remove the cover from the heater/evaporator housing.
5. Empty the cooling system.
6. Disconnect the hot coolant hoses (A) at the heater valve.
7. Remove the heater valve.

Go to [Section_90:Group_21](#)

LX,9020 011585-19-01FEB97