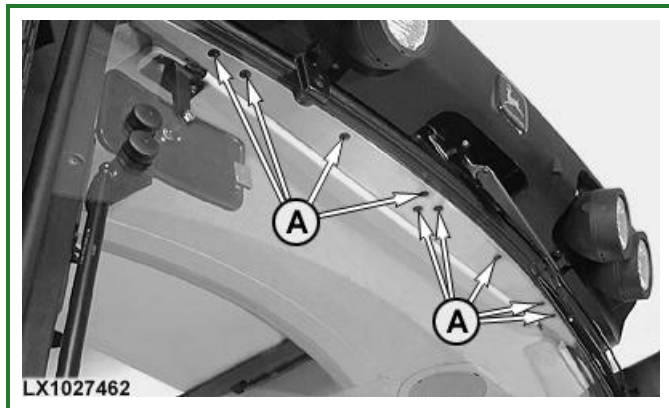
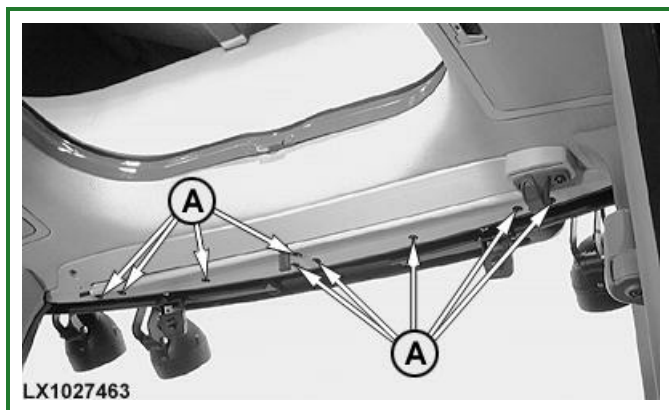


Removing and Installing Sun-Visor Roller



LX1027462-UN: Front sun-visor roller



LX1027463-UN: Rear sun-visor roller

Remove Phillips screws (A) and carefully remove sun-visor roller.

Installing sun-visor roller

Install reverting procedure of removal.

Go to [Section_90:Group_25](#)

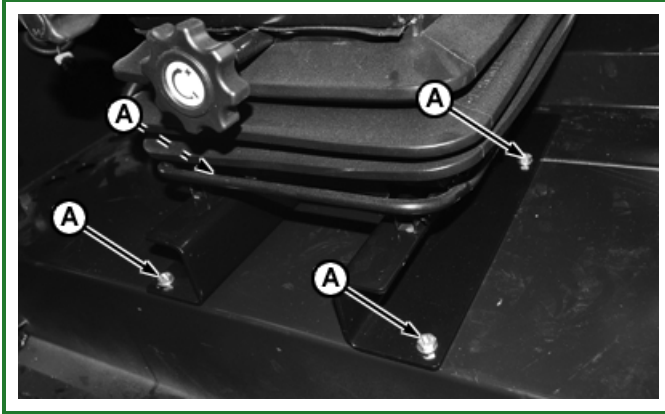
OU04339,0000123-19-20051122

Remove and Install Operator's Seat

NOTE:

This procedure should be performed by two people.

1. Remove the seat support screws (A).



CQ297065-UN: Mechanical Seat



CQ297066-UN: Deluxe Mechanical Seat and Deluxe Pneumatic Seat

LEGEND:

A - Seat Support Screws (4 used)

2. Disconnect the seat switch connector. [For tractors equipped with AutoTrac™]
3. Remove the operator's seat through the cab door.

IMPORTANT: