

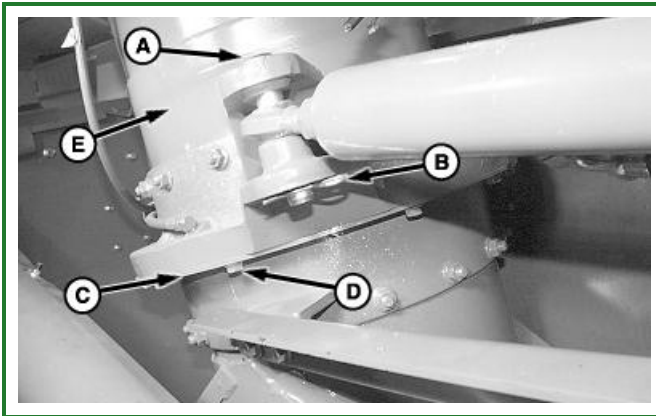
Install Horizontal Unloading Auger Elbow

⚠ CAUTION:

Approximate weight of elbow is 161.6 kg (356 lb).

1. Grease mating surfaces of charge housing and elbow.
2. Lower elbow to charge housing with hoist.

3.



H67431-UN: Elbow

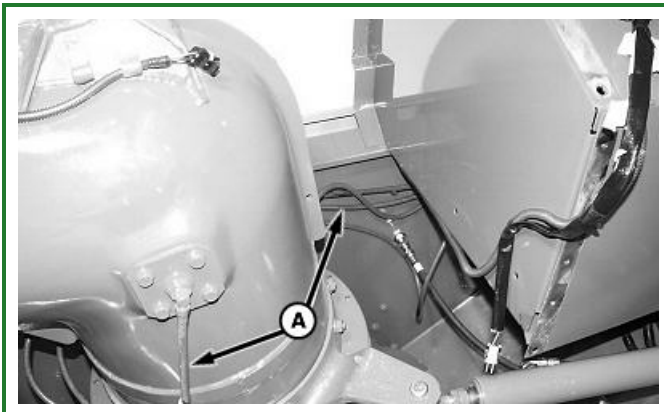
LEGEND:

- A - Pin
- B - Spring Locking Pin
- C - Sector Plate (3 used)
- D - Cap Screw (12 used)
- E - Auger Elbow

Install sector plates (C) and cap screws (D).

4. Attach cylinder to auger elbow (E) using pin (A) and spring locking pin (B).

5.



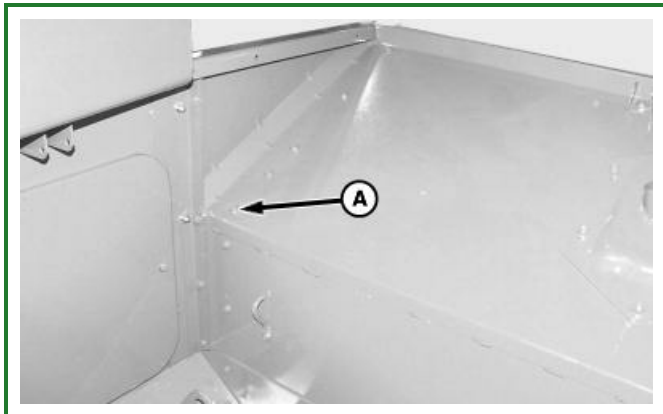
H67427-UN: Lube Lines

LEGEND:

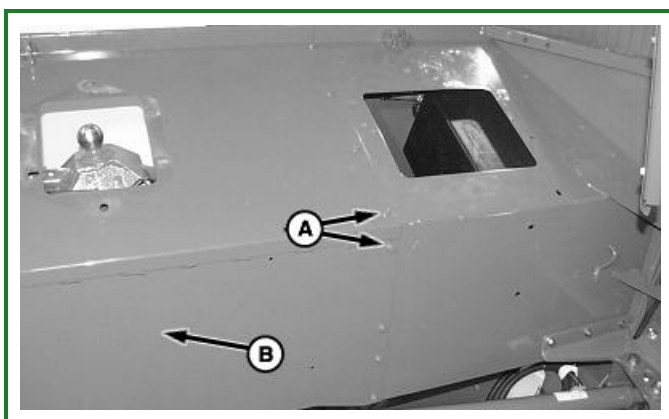
- A - Lubrication Line (4 used)

Connect lubrication lines (A).

6.



H67414-UN: Brace



H67415-UN: Brace

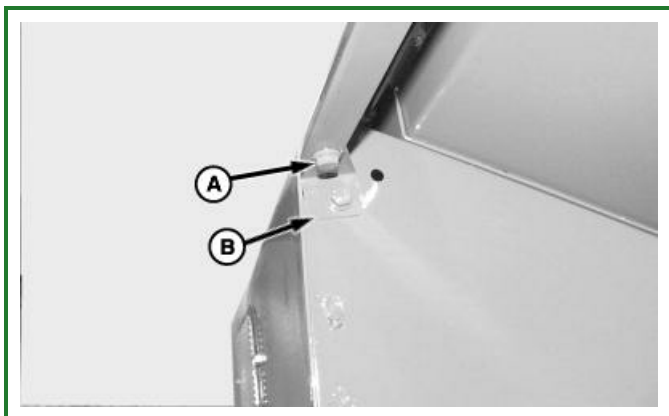
LEGEND:

A - Cap Screw (15 used)

B - Support Sheet

Install support sheet (B) using cap screws (A).

7.



H67410-UN: Trim