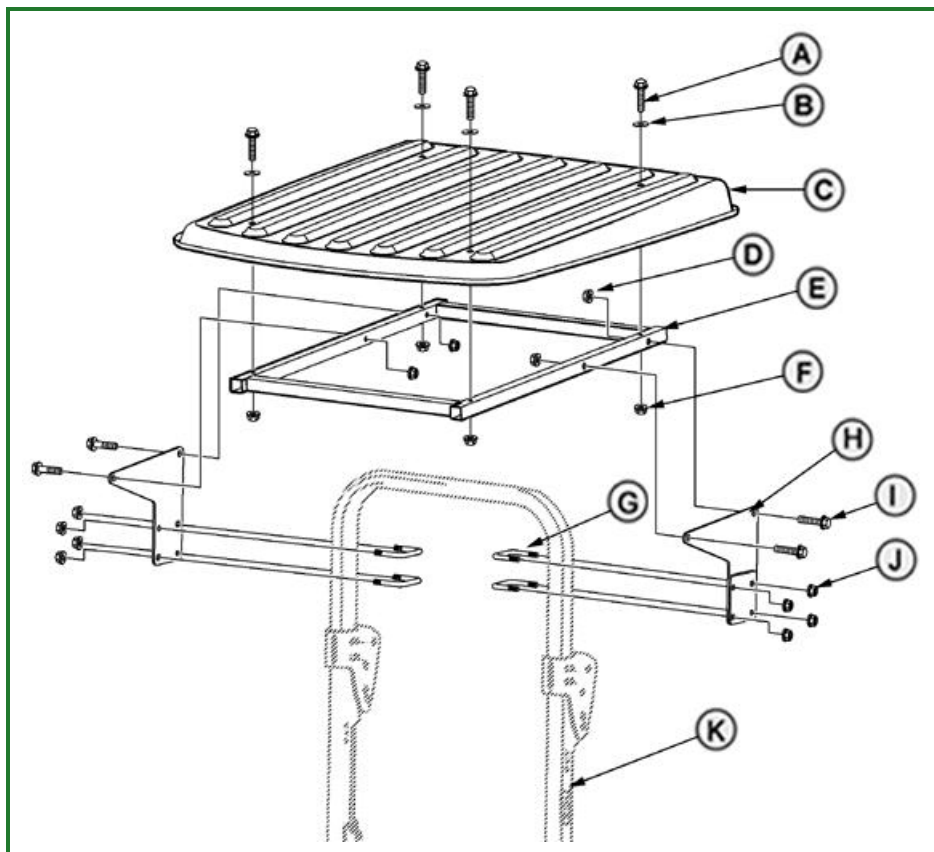


Remove and Install Canopy



PY6186-UN: Canopy

LEGEND:

A - Cap Screw (4 used)

B - Washer (4 used)

C - Canopy

D - Nut (4 used)

E - Frame

F - Nut (4 used)

G - U-Bolt (4 used)

H - Mounting Bracket

I - Cap Screw (4 used)

J - Nut (4 used)

K - Rops

1. Remove cap screws (A), washers (B) and nuts (F) to remove canopy (C).
2. Remove cap screws (I) and nuts (D) to remove frame (E).
3. Remove nuts (J) and U-bolts (G) to remove bracket (H).
4. Inspect parts for wear or damage, replace if necessary.
5. Assemble parts (A-J).
6. Tighten all cap screws to specification.

Item	Measurement	Specification
Canopy-to-Frame Cap Screw	Torque	45 N.m (33 lb-ft)
Frame-to-Mounting Bracket Cap Screw	Torque	55 N.m (41 lb-ft)
Mounting Bracket-to-ROPS U-Bolt	Torque	100 N.m - 110 N.m (74 lb-ft - 81 lb-ft)

Go to [Section_90:Group_25](#)

SS01820,00008C7-19-20070817