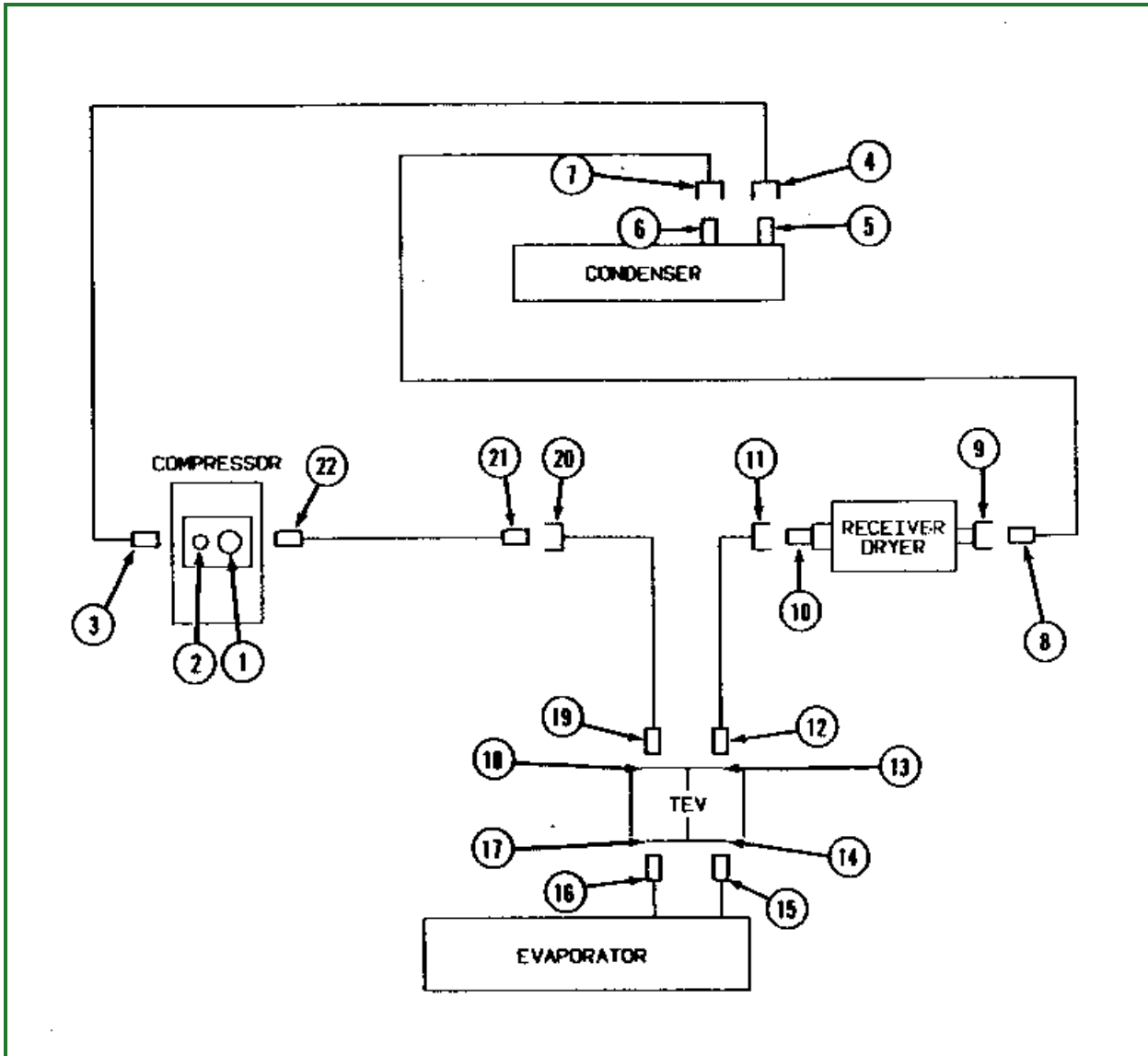


Flush Air Conditioning System



RW40023-UN: Air conditioning system diagram

LEGEND:

- 1 - Compressor Manifold Suction Port
- 2 - Compressor Manifold Discharge Port
- 3 - Compressor Discharge Hose Inlet Port
- 4 - Compressor Discharge Hose Outlet Port
- 5 - Condenser Inlet Port
- 6 - Condenser Outlet Port
- 7 - Receiver/Dryer Inlet Hose, Inlet End
- 8 - Receiver/Dryer Inlet Hose, Outlet End
- 9 - Receiver/Dryer Inlet Port
- 10 - Receiver/Dryer Outlet Port
- 11 - Receiver/Dryer Outlet Hose, Inlet End
- 12 - Receiver/Dryer Outlet Hose, Outlet End
- 13 - Expansion Valve Pressure Inlet Port
- 14 - Expansion Valve Pressure Outlet Port
- 15 - Evaporator Inlet Tube
- 16 - Evaporator Outlet Tube
- 17 - Expansion Valve Return Inlet Port

- 18 - Expansion Valve Return Outlet Port
- 19 - Expansion Valve Outlet Hose, Inlet End
- 20 - Expansion Valve Outlet Hose, Outlet End
- 21 - Compressor Inlet Hose, Inlet End
- 22 - Compressor Inlet Hose, Outlet End

-: REFERENCE CHART

AIR CONDITIONING SYSTEM FITTING—REFERENCE CHART	
Location	ServiceGuard Number
Compressor Manifold 1. Suction port 2. Discharge port	JT02099 JT02100
Compressor Discharge Hose 3. Inlet end 4. Outlet end	JT02102 JT03180 & JT03183
Condenser 5. Inlet port 6. Outlet port	JT03195 & JT03181 JT03183
Receiver/Dryer Inlet Hose 7. Inlet end 8. Outlet end	JT03188 JT03197
Receiver/Dryer 9. Inlet port 10. Outlet port	JT02110 JT03183
Receiver/Dryer Outlet Hose 11. Inlet end 12. Outlet end	JT03188 JT02106 & JT02104
Expansion Valve Pressure 13. Inlet port 14. Outlet port	JT02103 JT02104
Evaporator 15. Inlet tube 16. Outlet tube	JT02106 & JT02103 JT02106 & JT02105
Expansion Valve Return 17. Inlet port 18. Outlet port	JT02105 JT02105
Expansion Valve Outlet Hose 19. Inlet end 20. Outlet end	JT02106 & JT02105 JT03187
Compressor Inlet Hose 21. Inlet end 22. Outlet end	JT03182 JT02101